

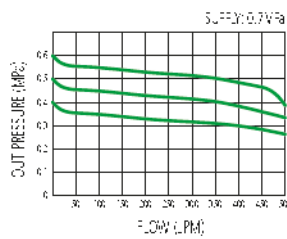
Air Filter Regulators YT-200 / YT-205 / YT-220 / YT-225

Design features

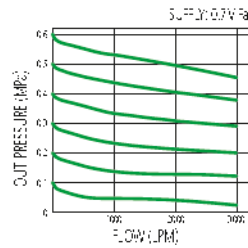
- **Stable output and repeatability.** Provides constant control under variable flow rates and supply pressures.
- **Relief flow capability.** Discharges pressure if outer pressure is higher than set pressure.
- **Light weight and compact size.** Reduces installation costs.
- **Five micron filter.** Protects pneumatic instruments from dirty air.
- **Manual or auto draining option**



YT-200 / YT-205 Flow (LPM)



YT-220 / YT-225 Flow (LPM)



Product Code

YT-200 - A - N - 0 - 1 - 0

Model

- YT-200 = Aluminium 1/4"
- YT-205 = Stainless Steel 1/4"
- YT-220 = Aluminium 1/2"
- YT-225 = Stainless Steel 1/2"

Adjustable Range

- A = 0 to 0.42 MPa
- B = 0 to 0.84 MPa

Connection Type

- P = Rc (N/A for YT-205 and YT-225)
- N = NPT

Gauge

- 0 = None
- 1 = 0 to 0.4 MPa
- 2 = 0 to 1.0 MPa

Operating Temp.

- 1 = -20 to +70 °C (-4 to +158 °F) (N/A for EAC)
- 2 = -20 to +120 °C (-4 to +248 °F) (N/A for EAC)
- 3 = -40 to +70 °C (-40 to +158 °F)
- 4 = -50 to +70 °C (-58 to +158 °F) (EAC only)

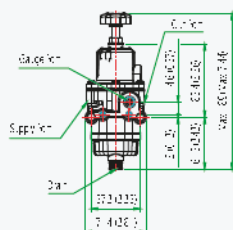
Option

- 0 = Manual drain
- 1 = Auto drain¹

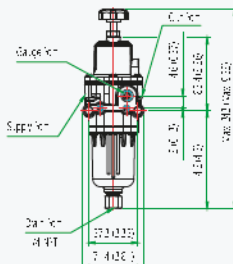
Item Type	YT-200	YT-220	YT-205	YT-225
Max. Supply Pressure	1.7 MPa = 17 bar = 246.5 psi			
Max. Output Pressure	0.42 MPa (A Type), 0.84 MPa (B Type) 60.9 psi (A Type), 121.8 psi (B Type)			
Air Connection	Rc 1/4, 1/4 NPT	Rc 1/2, 1/2 NPT	1/4 NPT	1/2 NPT
Gauge Connection	Rc 1/4, 1/4 NPT	Rc 1/4, 1/4 NPT	1/4 NPT	1/4 NPT
Operating Temp.	-20 to +70 °C (-4 to +158 °F) (Standard type)			
Min. Filtering Size	5 micron			
Material	Aluminium Diecasting		Stainless Steel 316	
Weight (Manual drain)	0.62 kg (1.4 lb)	0.88 kg (2 lb)	1.5 kg (3.3 lb)	2.2 kg (4.8 lb)

Notes:

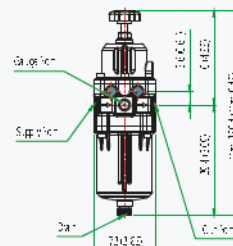
- 1. Only "1" of Operating Temp. is available



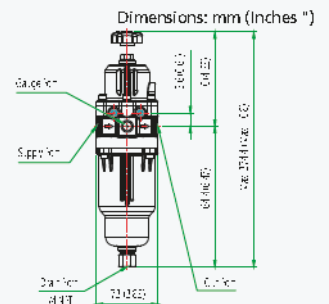
YT-200/205 Manual drain



YT-200/205 Auto drain



YT-220/225 Manual drain



YT-220/225 Auto drain